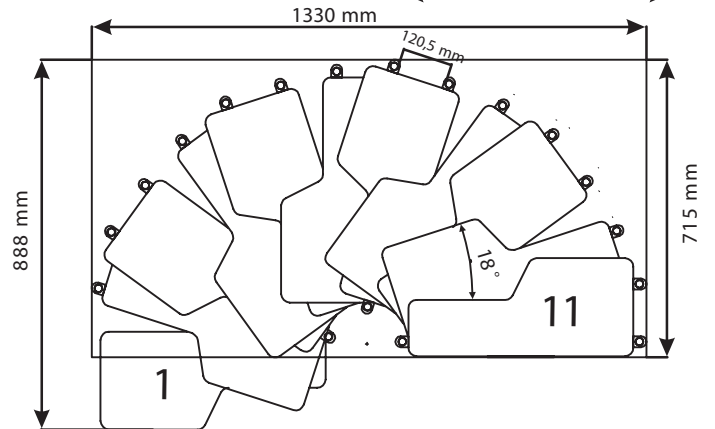
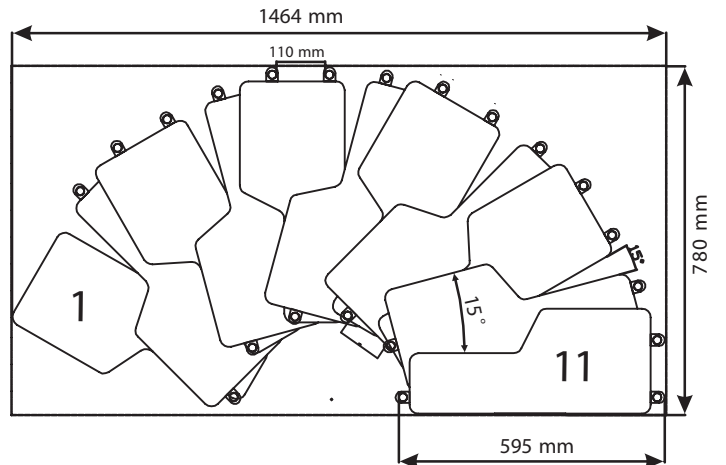
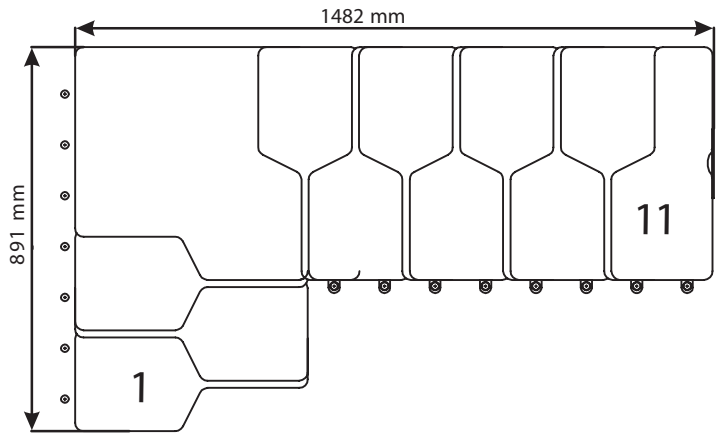
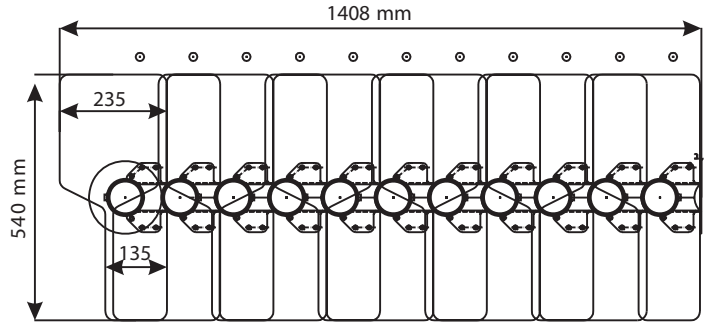
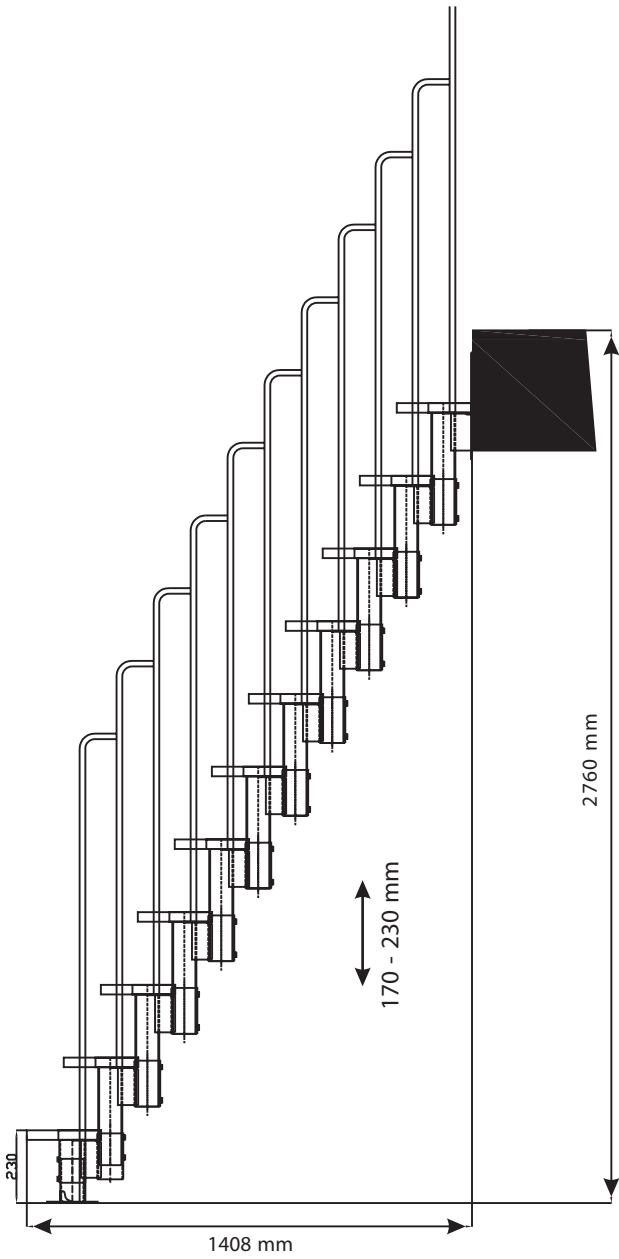
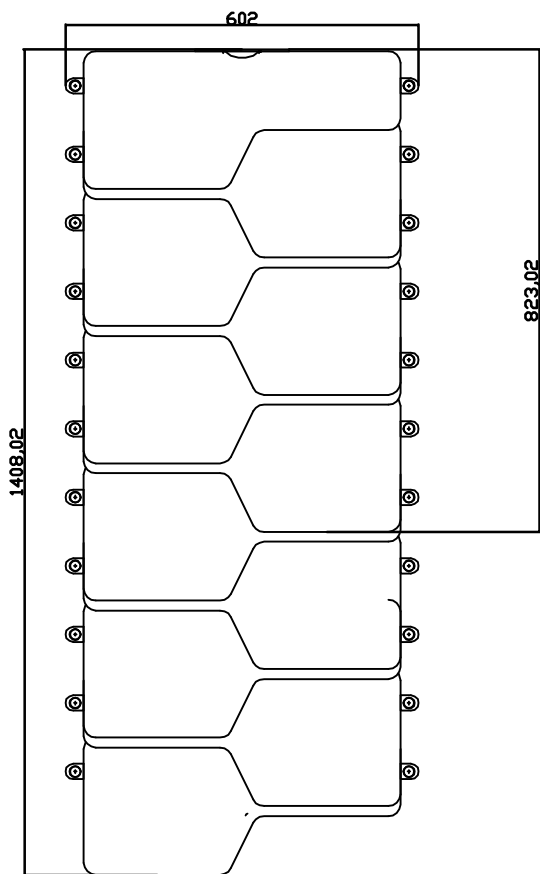
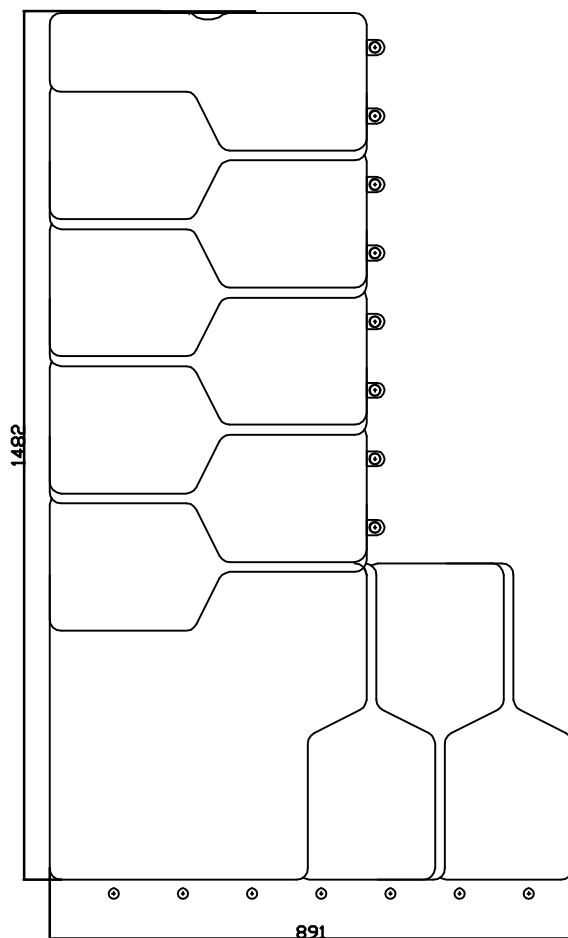


# TWIST

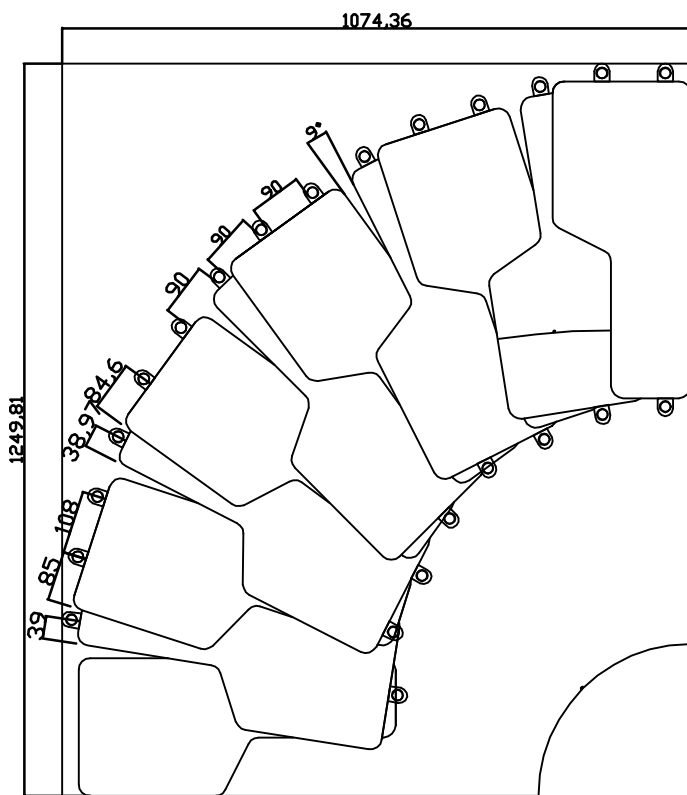




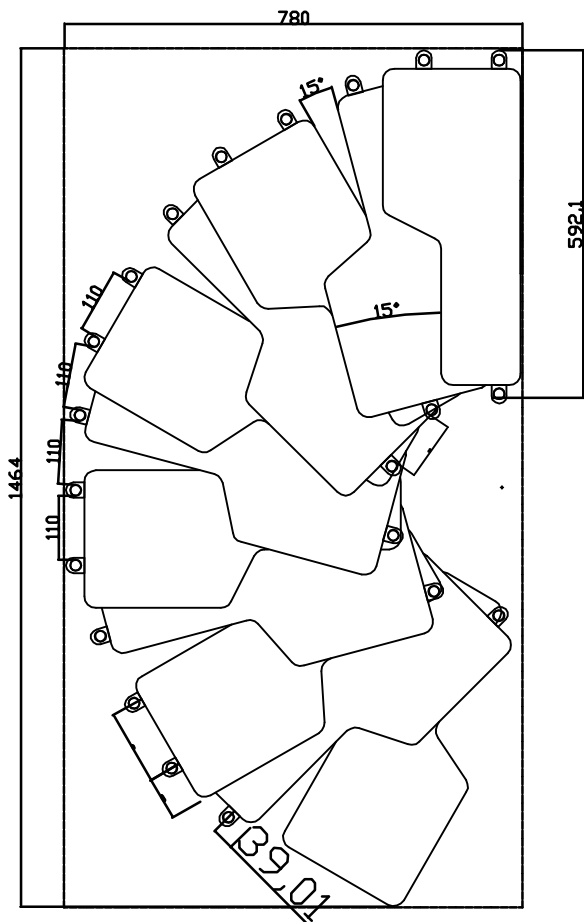
1



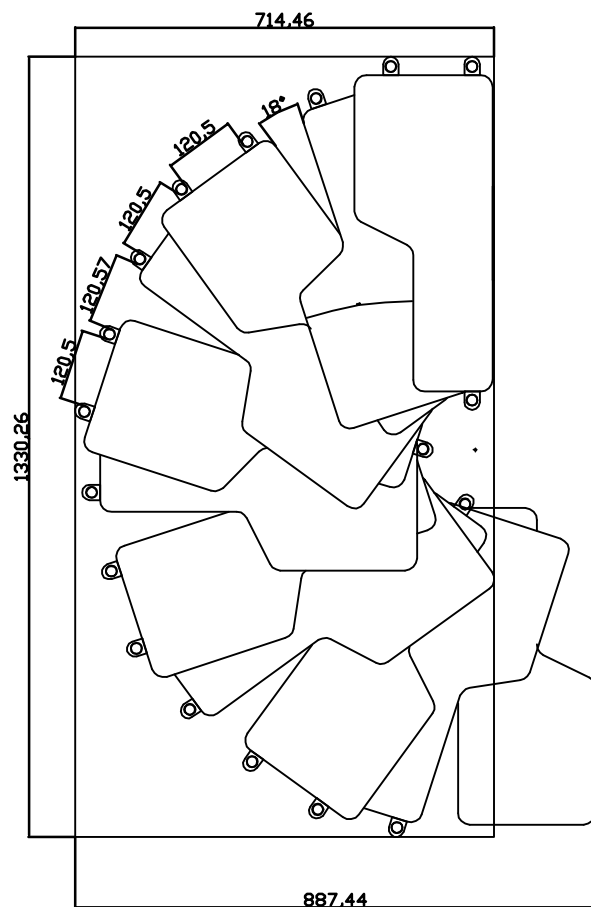
2



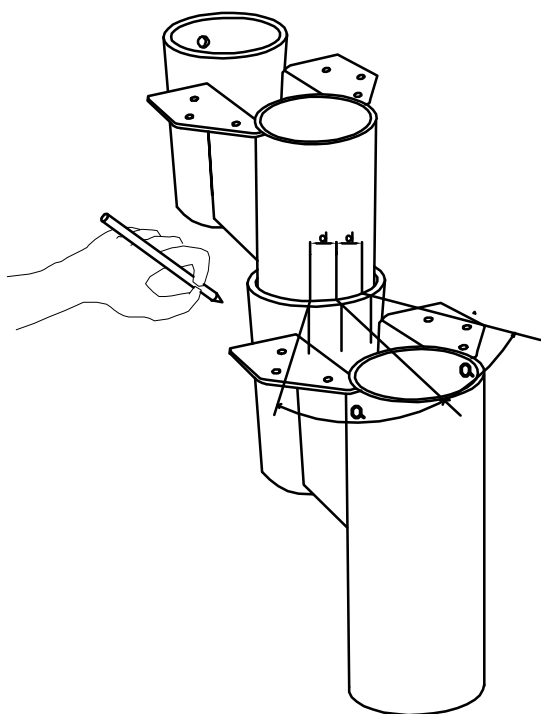
3



4



5



	1,2	3	4	5
$\alpha$	0°	9°	15°	18°
$d$	0mm	6 mm	10 mm	12 mm